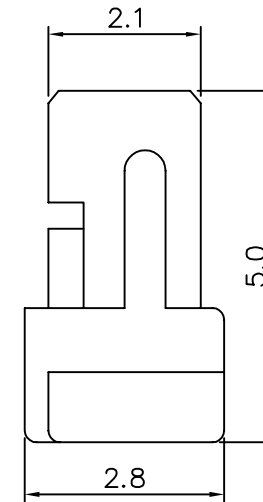
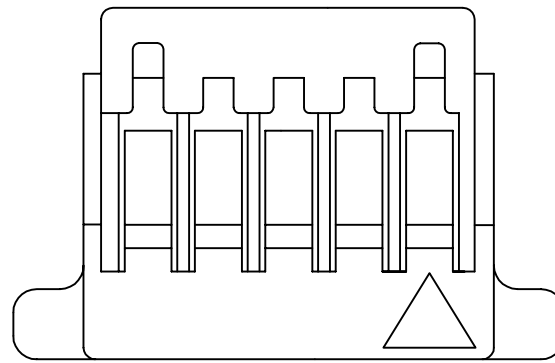
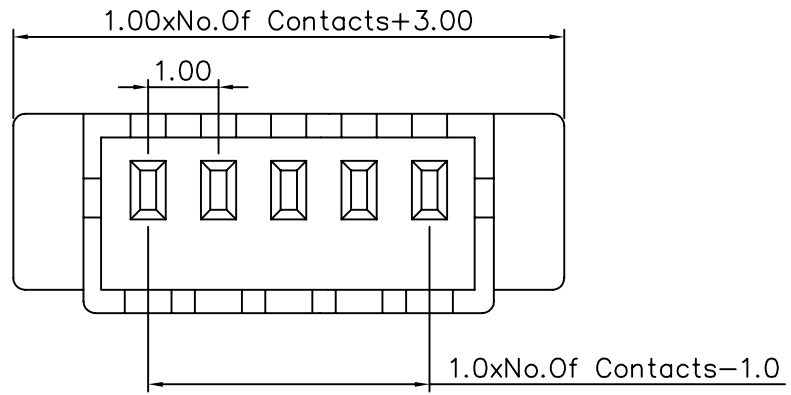
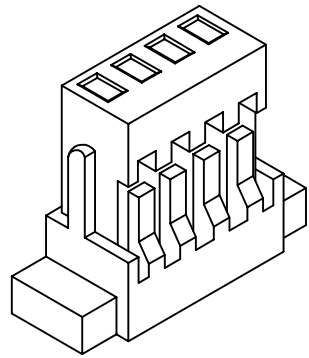


Material:PBT,UL 94V-0



**4UCON** 元化興業股份有限公司  
4UCON TECHNOLOGY INC.

DRAWING No.  
01170

APPROVED BY MEI  
CHECKED BY RAN  
DRAWING BY HZF

UNLESS OTHERWISE SPECIFIED TOLERANCES ARE  
.X ±0.38  
.XX ±0.25  
ANG.

SCALE NONE

REV. A

UNIT mm



AREA

REVISIONS

CHK

DATE