

HUMIDITY SENSORS: TYPE HS12P, HS15P

RELATIVE HUMIDITY SENSOR

DESCRIPTION:

Non-refresh type humidity sensor made of polymer.

FEATURES:

- Good long term reliability
- Cost effective performance
- HS15P water resistive
- Typical applications include humidity monitors, humidity controllers, air conditioners, humidifiers, dehumidifiers, automatic ventilation

DATA:

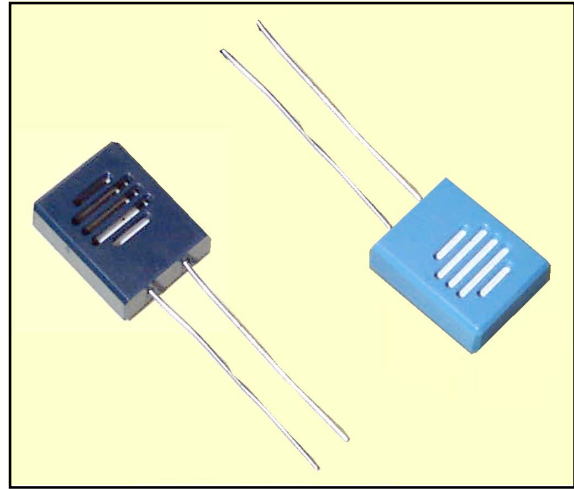
CODE	HS12P	HS15P
Operating Temperature	0 to 50°C	
Operating Humidity	20 to 90% RH (without condensing)	20 to 100% RH
Impedance at 25°C 50% RH	60 k ohm +/- 30 k ohm (+/- 5% RH)	
Rated Voltage	A.C. 1 V rms	
Rated Frequency	50 Hz to 1 kHz	
Consumption Power	0.3 mW	

CODING:

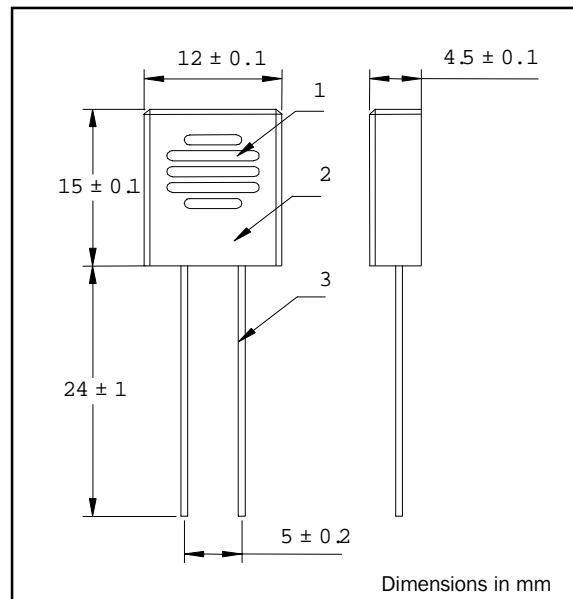
HS12P: quick response type
HS15P: water resistant type

WARNING:

Use only within the specified limits.
Do not disassemble and change any parts.
Do not apply DC voltage or DC bias.
Do not immerse into water or any solution.



DIMENSIONS:



1. Filter

2. Case ABS: Dark blue (HS12P)
..... Light blue (HS15P)

3. Lead wire Sn-Pb plated Cu
..... Diameter: 0.6mm

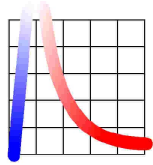
Data sheet D-HS12/15P-1

BOWTHORPE THERMOMETRICS
Crown Industrial Estate, Priorswood Rd
Taunton, Somerset TA2 8QY UK
Tel +44 (0)1823 335200
Fax +44 (0)1823 332637
Email: info@thermometrics.com

THERMOMETRICS, INC.
808 US Highway 1
Edison, New Jersey 08817-4695 USA
Tel +1 (732) 287 2870
Fax +1 (732) 287 8847
Email: sales@thmusa.com

KEYSTONE THERMOMETRICS CORP
967 Windfall Road
St Marys, Pennsylvania 15857-3397 USA
Tel +1 (814) 834 9140
Fax +1 (814) 781 7969
Email: sales@keystone-usa.com

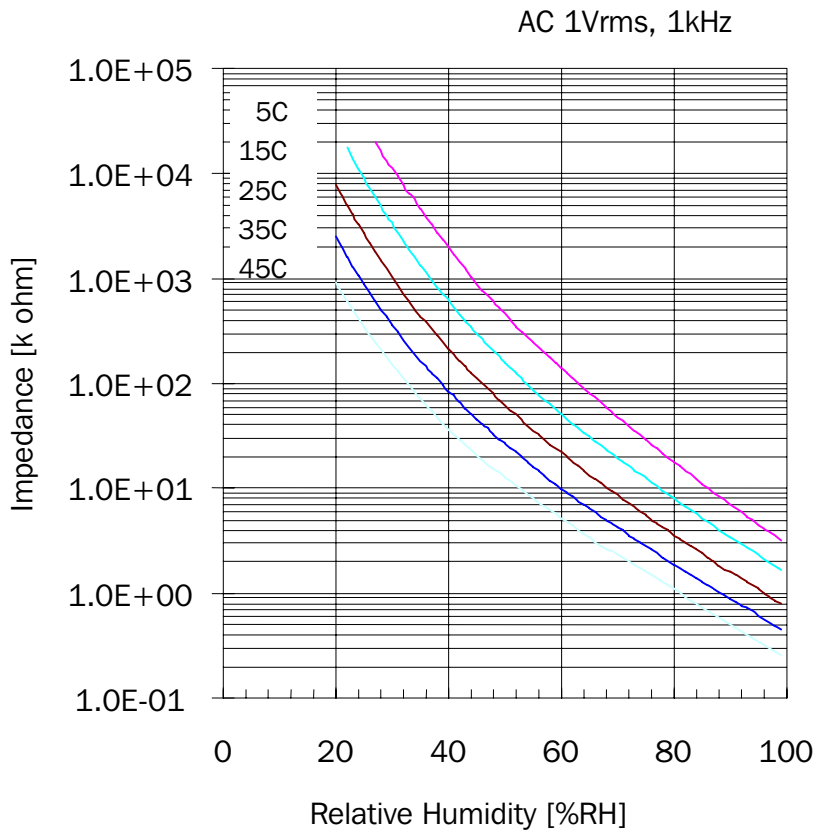
DAEWOO THERMOMETRICS
#302 3rd floor Bethel Bldg,
324-1 Yangjae-dong, Seocho-Ku, Seoul, Korea
Tel +82 (0)2 5765232, 5233
Fax +82 (0)2 576 5234
Email: thmkorea@bora.dacom.co.kr



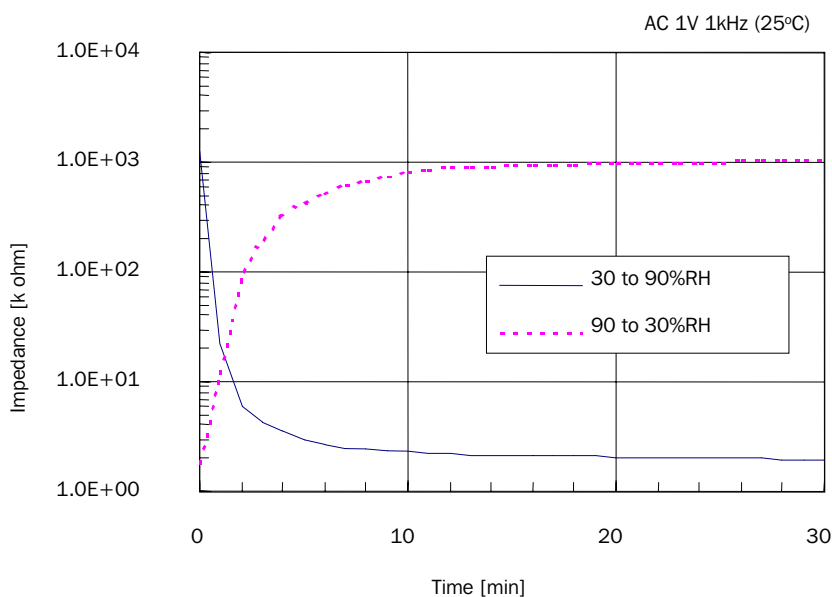
HUMIDITY SENSORS: TYPE HS12P, HS15P

RELATIVE HUMIDITY SENSOR

TYPICAL HUMIDITY CURVE:



TYPICAL RESPONSE CURVE:



Data sheet D-HS12/15P-1

BOWTHORPE THERMOMETRICS
 Crown Industrial Estate, Priorswood Rd
 Taunton, Somerset TA2 8QY UK
 Tel +44 (0)1823 335200
 Fax +44 (0)1823 332637
 Email: info@thermometrics.com

THERMOMETRICS, INC.
 808 US Highway 1
 Edison, New Jersey 08817-4695 USA
 Tel +1 (732) 287 2870
 Fax +1 (732) 287 8847
 Email: sales@thmusa.com

KEYSTONE THERMOMETRICS CORP
 967 Windfall Road
 St Marys, Pennsylvania 15857-3397 USA
 Tel +1 (814) 834 9140
 Fax +1 (814) 781 7969
 Email: sales@keystone-usa.com

DAEWOO THERMOMETRICS
 #302 3rd floor Bethel Bldg,
 324-1 Yangjae-dong, Seocho-Ku, Seoul, Korea
 Tel +82 (0)2 5765232, 5233
 Fax +82 (0)2 576 5234
 Email: thmkorea@bora.dacom.co.kr