



TAIWAN OASIS LED DATA SHEET

PART NO. : TOL-50aUBdCEa-ETB6

DESCRIPTION

SOURCE MATERIAL _____ InGaN/GaN
 COLOR _____ Ultra Blue
 LENS _____ Water Clear

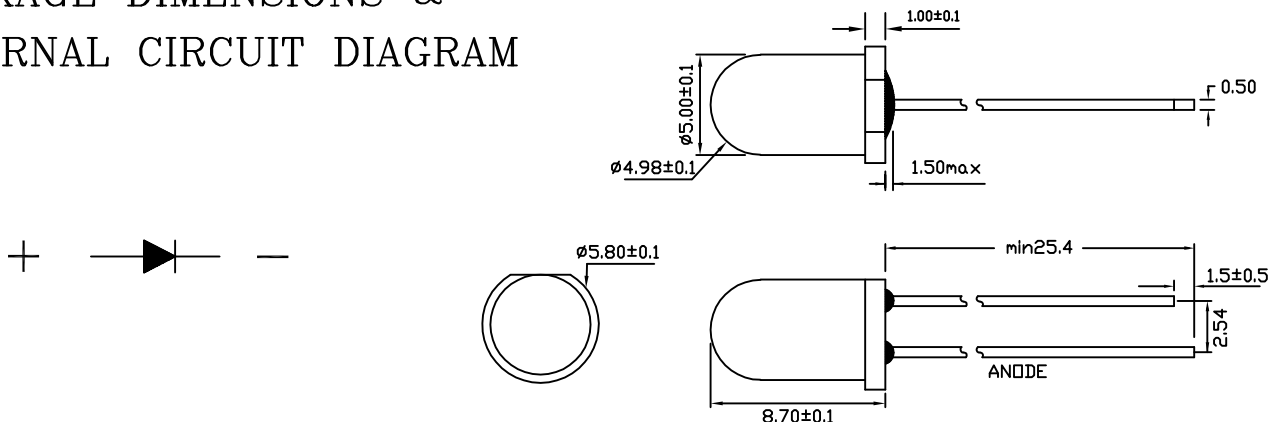
ABSOLUTE MAXIMUM RATING (Ta=25°C)

PULSE CURRENT (1/10 DUTY CYCLE, 0.1ms PULSE WIDTH) _____ 100mA
 REVERSE VOLTAGE _____ 5.0V
 CONTINUOUS FORWARD CURRENT _____ 25mA
 RECOMMEND OPERATING CURRENT _____ 15mA
 OPERATING TEMPERATURE _____ -25°C TO 85°C
 STORAGE TEMPERATURE _____ -30°C TO 100°C
 LEAD SOLDERING TEMPERATURE _____ 260°C FOR 3 SECONDS
 (2mm from body)

CHARACTERISTICS (Ta=25°C)

PARAMETER	CONDITION	SYMBOL	MIN.	TYP.	MAX.	UNITS
POWER DISSIPATION		Pd			105	mW
DOMINANT WAVELENGTH	If=20mA	λ_d		468		nm
SPECTRUM HALF WIDTH	If=20mA	$\Delta\lambda$		35		nm
FORWARD VOLTAGE	If=20mA	V _F		3.2	3.5	V
REVERSE CURRENT	V _R =5V	I _R			50	μA
LUMINOUS INTENSITY	If=20mA	I _v	2800	4500		mcd
FULL VIEWING ANGLE	If=20mA	2θ _{1/2}		15		deg.

PACKAGE DIMENSIONS & INTERNAL CIRCUIT DIAGRAM



DATE	12/23/03'	SCALE	3.0:1	TOLERANCE	±0.25 ANGLE ±5°	DRAWN	Cathy	CHECKED	
UNIT	M/M	SHEET NO.	1/1	DRAWING NO.	S-50aUBdCEa-ETB6-A	CUSTOMER		APPROVED	